

visual engineering
LIGHTWARE



Assembly Guide

Mounting Options and Accessories
for Lightware Devices

Mounting Accessories Overview

The design of Lightware devices allows easy mounting. The holes on the housing can be used to fix the device to a rack or a piece of furniture. Numerous accessories are available which can be ordered from Lightware, please contact sales@lightware.eu.



WARNING!

Never block the ventilation holes on any side of the installed device! Ensure proper ventilation by allowing free airflow.



ATTENTION!

Always use the screws supplied with the accessories. If other screws have to be used, pay attention to the length of them since longer screws may touch internal parts.



ATTENTION!

Please unplug all cables from the device before performing the steps described below.



Rack Shelf



Rack Cover Half



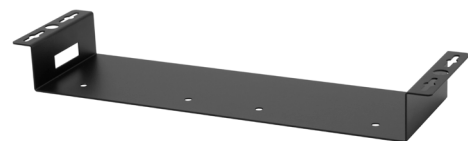
Rack Shelf Quarter



Rack Ears



Under Desk Mounting Kit



Under Desk Mounting Kit Double



Mounting Bracket



Mounting Bracket V2

Rack Shelf

1U high rack shelf provides mounting holes for fastening two 1/2-rack or four 1/4-rack size units. Pocket sized devices can also be fastened on the shelf.



DP-OPT Extenders Fixed to a Rack shelf

Supplied accessories:

- 10 pcs. PZ flat head screw (M3x6mm).

Mounting Steps:

Step 1. Turn the device(s) upside down.

Step 2. Put the rack shelf upside down on the device. Position it to make the mounting holes aligned.

Step 3. Fasten the device on the rack shelf with the provided screws.

Step 4. Mount the rack shelf in the rack.

Optional Accessories

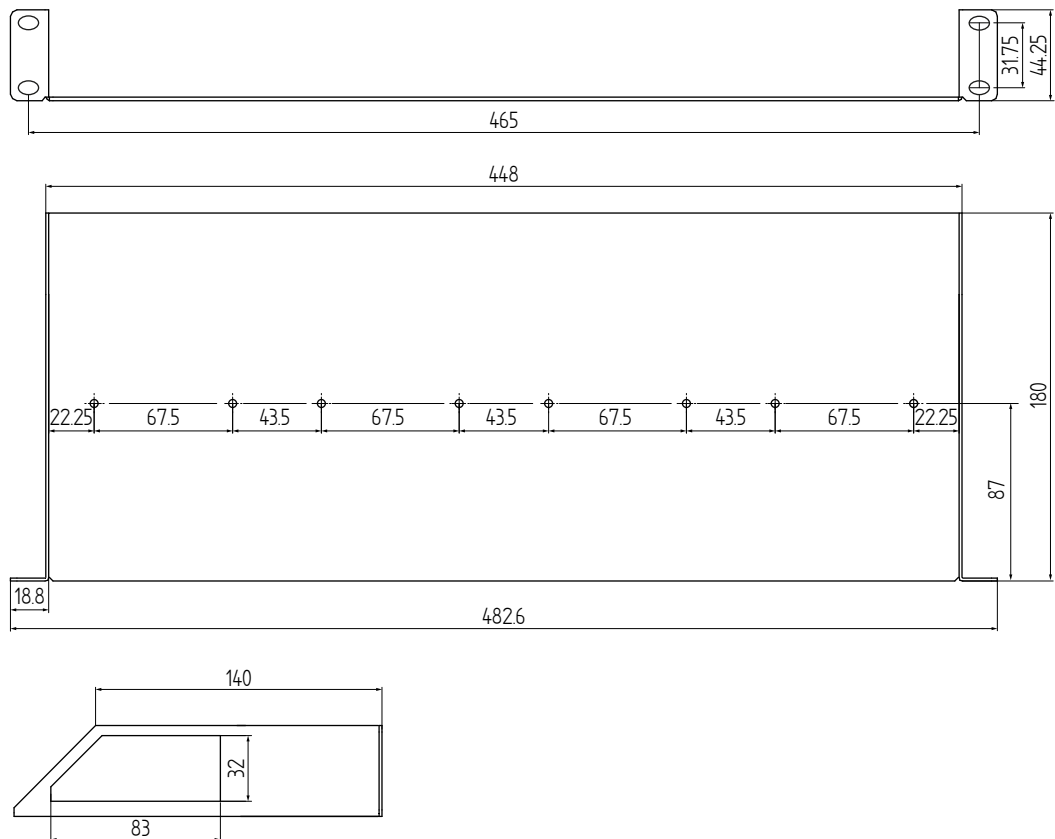
Rack Cover Half



Rack Cover Quarter



Mechanical Drawings



Rack Ears

Certain Lightware devices are assembled with special ears allowing standard rack mounting and other mounting options.



Rack Mounting (default position)

Mounting Under Desk



ATTENTION!

Two more rack ears are necessary for this kind of installation, which can be purchased separately.



Mounting Under Desk

Mounting Steps:

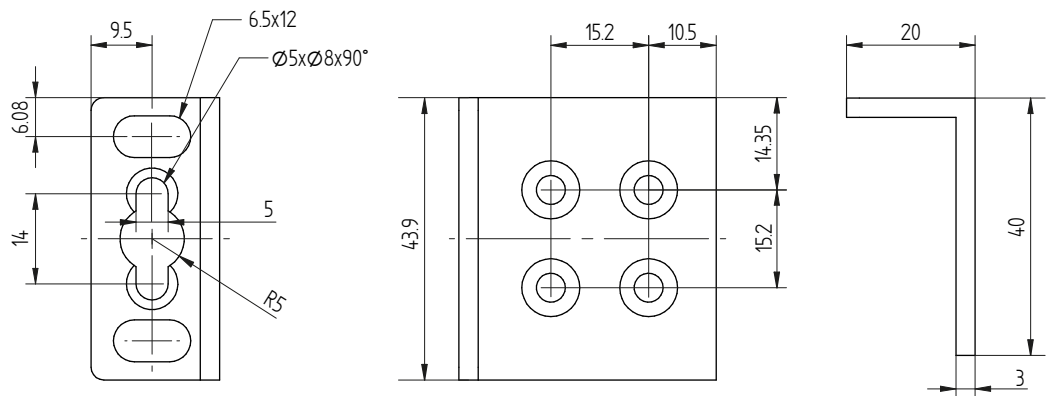
- Step 1.** Release and remove the fixing screws of the rack ears on the device (both sides).
- Step 2.** Rotate the rack ears by 90° to the desired direction.
- Step 3.** Insert the screws into the holes and fix the front ears to the device.
- Step 4.** Fix the two additional rear ears (not supplied with the product) by the screws on both sides of the device.
- Step 5.** Fix the device through the holes of the rack ears to the desired surface (screws are not supplied).



INFO

The method is the same when the device is mounted to a wall.

Mechanical Drawings



Under Desk Mounting Kit

The Under-Desk Mounting Kit (UD-kit) makes it easy to mount a single device on any flat surface (e.g. furniture).

Dimensions with mounting ears: 131,4 W x 67,6 D x 27,5 H mm.



Under Desk Mounting Kit with a TPS Extender

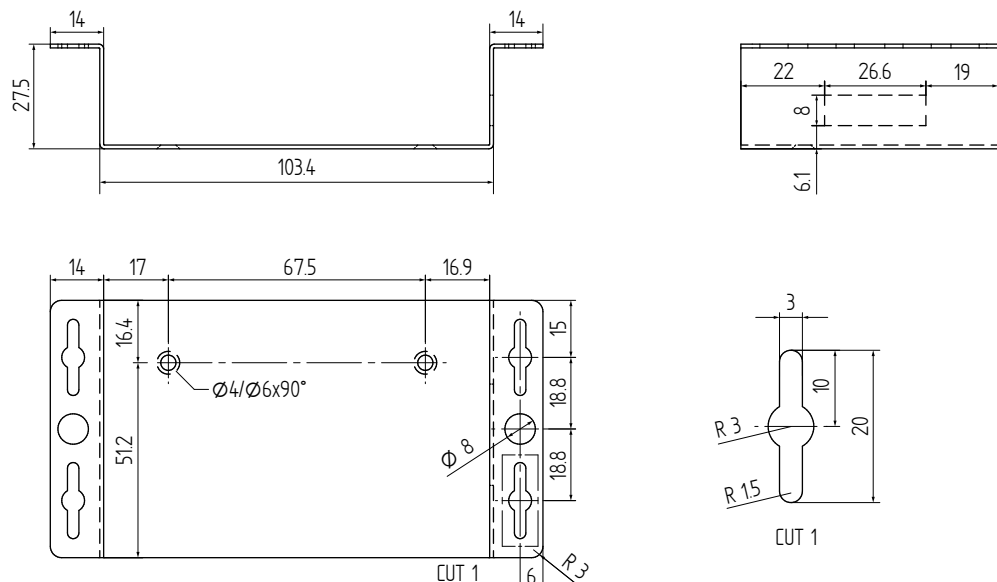
Supplied Accessories:

- 4 pcs. PZ flat head screw (M3x6mm).

Mounting Steps:

- Step 1.** Turn the device upside down.
- Step 2.** Put the UD-kit upside down on the device and position it to get the mounting holes aligned.
- Step 3.** Fasten the device on the UD-kit with the provided screws.
- Step 4.** Mount the UD-kit to the desired place.

Mechanical Drawings



Under Desk Mounting Kit Double

The Under-Desk Mounting Kit Double (UD-kit double) makes easy to mount a single device or multiple devices on any flat surface (e.g. furniture).

Dimensions with mounting ears: 252 W x 67,6 D x 27,5 H mm.



UD Mounting Kit Double with a TP Extender

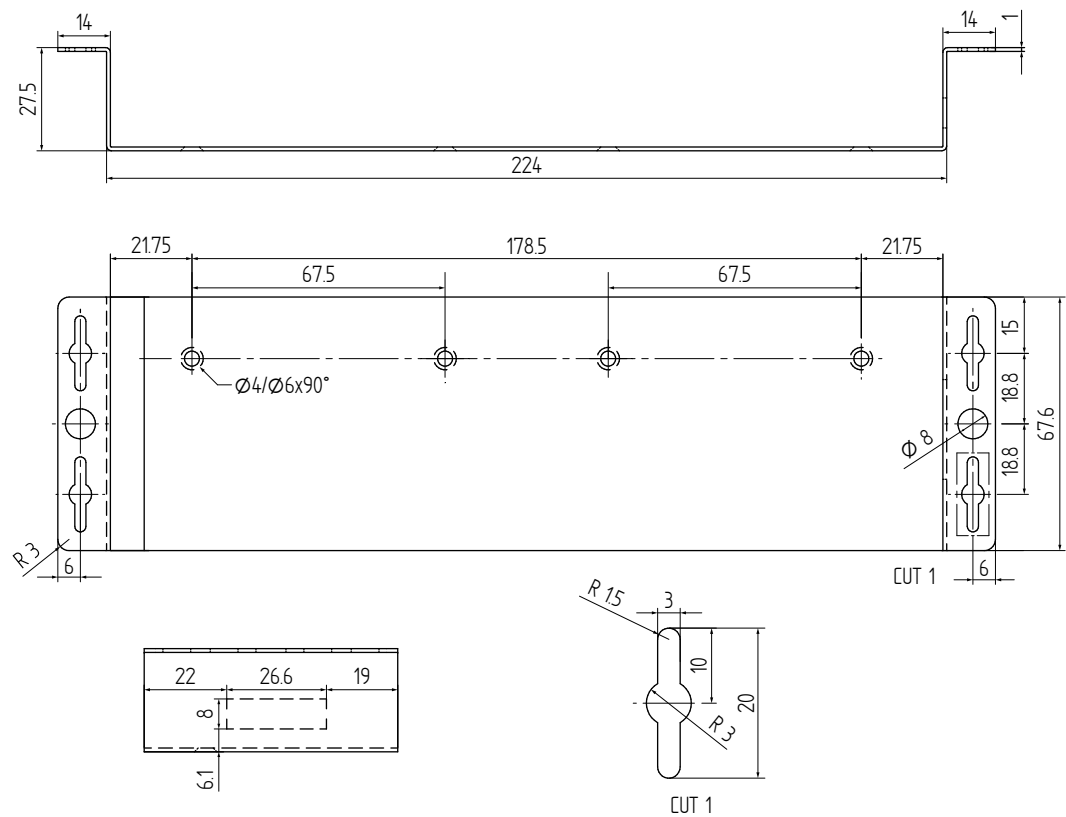
Supplied Accessories:

- 4 pcs. PZ flat head screw (M3x6mm).

Mounting Steps:

- Step 1.** Turn the device upside down.
- Step 2.** Put the UD-kit double upside down on the device and position it to get the mounting holes aligned.
- Step 3.** Fasten the device on the UD-kit double with the provided screws.
- Step 4.** Mount the UD-kit double to the desired place.

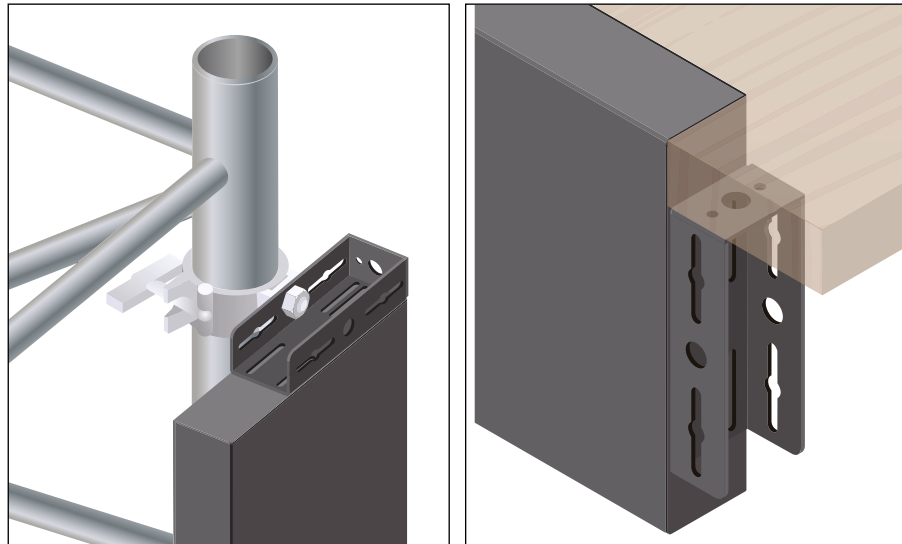
Mechanical Drawings



Mounting Bracket

The Mounting Bracket makes through-furniture and under-desk mounting easy, while also allowing truss mounting with standard clamps for 1U high devices. Mounting bracket is also designed for truss mounting. Standard truss mount clamps can be connected to the brackets using an M8, M9 or M10 screw. The bracket is designed to withstand static load. Dynamic loading or static overloading could cause a reduction in reliability.

Dimensions: 120 W x 42.2 D x 30 H (mm)

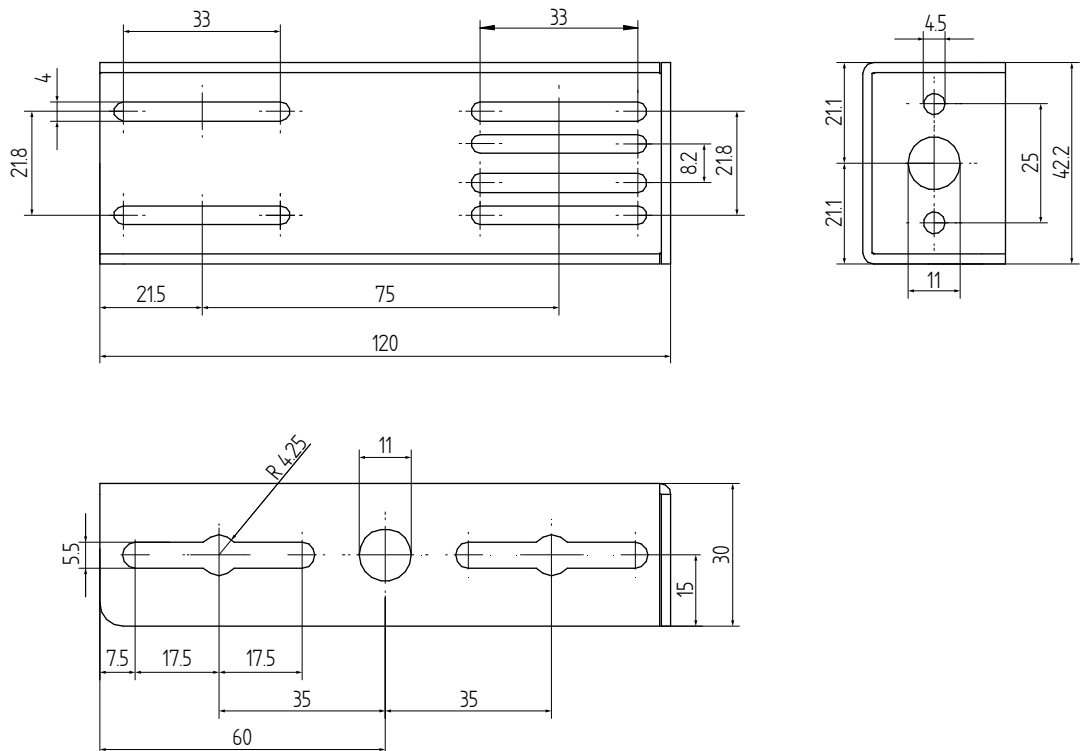


Truss Mounting (left), Built into a Piece of Furniture (right)

Supplied Accessories:

- 4 pcs. pan head screw (M4x8mm, PH, steel).
- 4 pcs. M4 flat washer.

Mechanical Drawings



Mounting Bracket V2

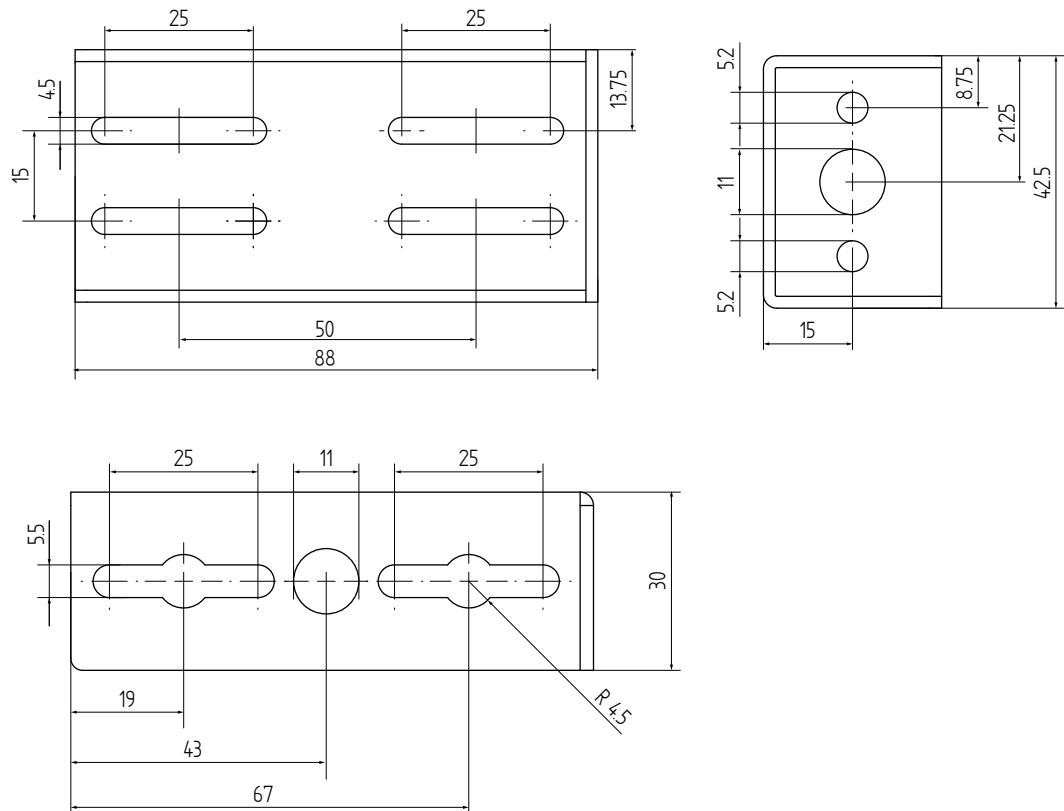
This accessory has the same features as the Mounting bracket, but the V2 version is designed for other products. It can carry the weight of one 1/2 rack unit (3kg maximum) in any direction, although we recommend using two brackets per unit in fixed installations for perfect stability.

Dimensions: 88 W x 42.5 D x 30 H mm.

Supplied Accessories:

- 4 pcs. pan head screw (M4x8mm, PH, steel).
- 4 pcs. M4 flat washer.

Mechanical Drawings



Contact Us

In case of any questions, please call your local representative or contact Lightware at:

Lightware Sales:
sales@lightware.eu
+36 1 255 3800

Lightware Support:
support@lightware.eu
+36 1 255 3810

Lightware Visual Engineering

Peterdy 15, Budapest H-1071, Hungary